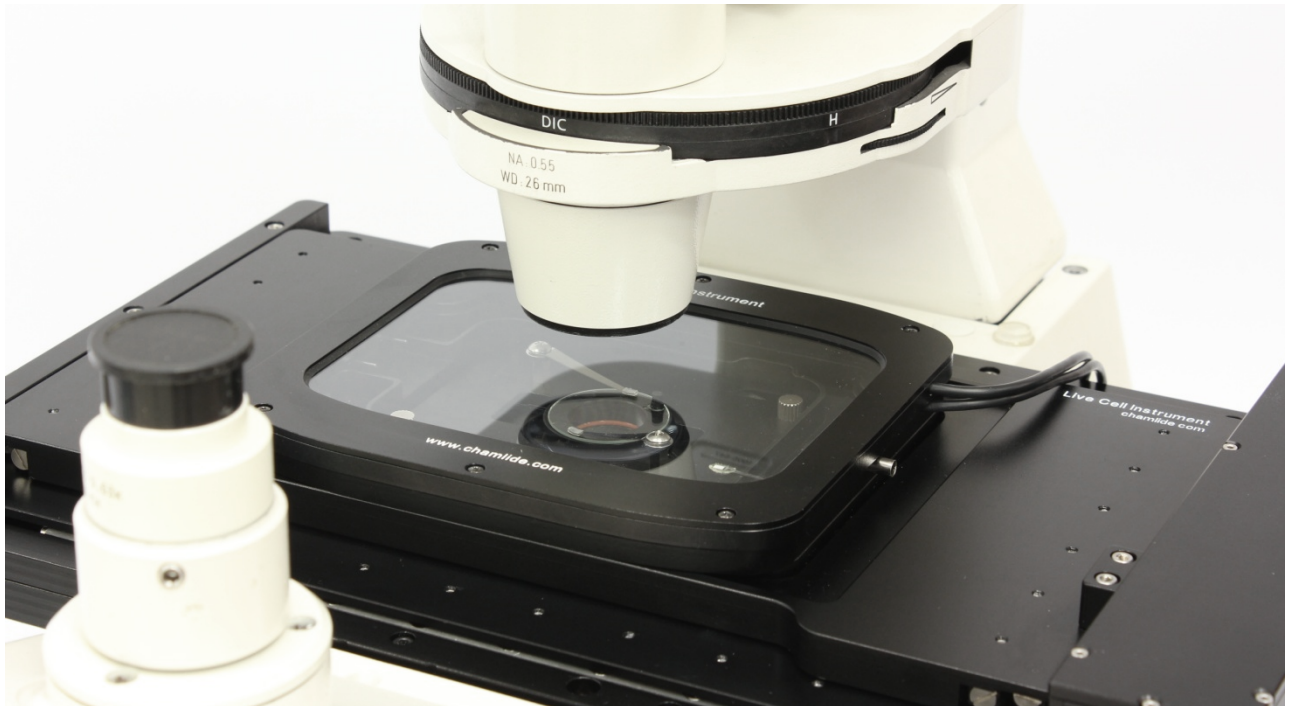


Chamlide TC

Incubator System for Various Types of Chambers

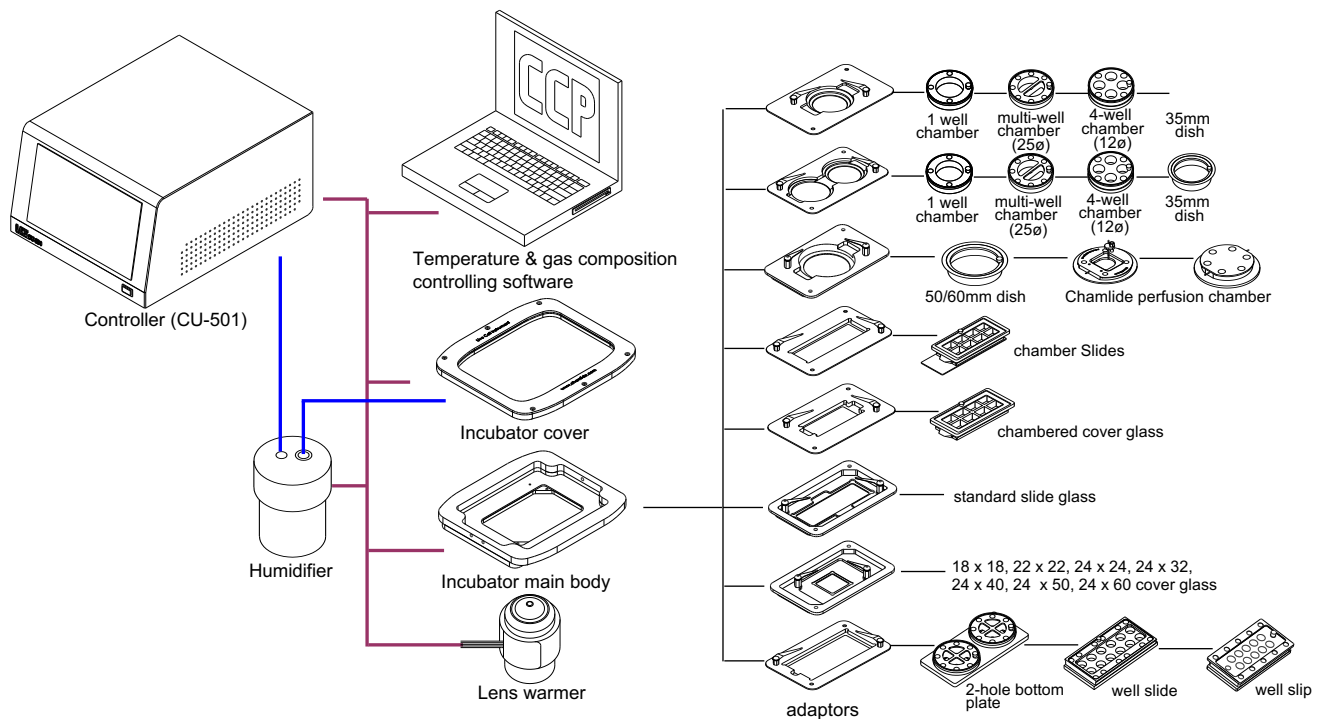


- Able to use with the most microscope stages
- Able to use with a variety of Chamlide magnetic chambers, commercial culture dishes, and commercial culture dishes using 8 types of adaptors (5 adaptors provided as standard)
- Special glass covers for disposable culture wares to maintain humidity and provide excellent transmission for imaging (For Lab-Tek chambered cover glass, Lab-Tek chamber slide, and 35mm plastic culture dish).
- CU-501 controls temperatures of the incubator main body, incubator cover, humidifier, and lens warmer.
- CU-501 adjusts flow rate of the mixed CO₂ gas by the flow meter.
- Glass incubator cover is coated by the heating element.
- Optimum mixed gas is provided to all incubator systems with FC-5N or FC-9.
(e.g. Chamlide TC, WP, and IC instead of pre-mixed 5% CO₂/ 95% air gas)
- In/out ports without opening the incubator cover using CM-B-PA, CM-B-PB
- Able to control the temperature and gas concentration, and to program the temperature and the gas concentration gradients
- Able to record temperature and gas concentration over time using CCP ver.7 software or MetaMorph software

■ TC Adaptors

- **For 35mm dish type chamber or dish**
Commercial 35mm culture dishes or 35mm dish type Chamlide magnetic chambers
- **For Chamber slide**
Nunc Lab-Tek™ II Chamber Slide
- **For chamber cover glass**
Nunc Lab-Tek™ II chamber- cover glass
- **For 2-hole type Chamlide MB or Well slide/ Well slip**
Chamlide MB, Well slide, Well slip or customized chambers
- **For two 35mm dish type chambers or dish**
Two commercial 35mm culture dishes or 35mm dish type Chamlide magnetic chambers
- **For standard slide glass**
75 x 25 standard slide glass
- **For cover glass**
18 x 18, 22 x 22, 24 x 24, 24 x 32, 24 x 40, 24 x 50, 24 x 60 cover glass
- **For 50/60mm dish**
Commercial 50/60 mm culture dishes





- Hole(s) to inject reagent solution during time-lapse imaging
- Sizes and shapes are customizable.
- Silicon lids to cover the hole (option)



- Water reservoir inside of the main body to raise the humidity of the incubator without a glass cover or a special cover (option)

Specifications

Temperature range	Ambient +3°C ~ +45°C
Recommended 5% CO ₂ / 95% Air flow rate	100 ml/ min
Incubator physical dimension (mm)	Cover 164.9 (W) x 134 (D) x 11 (H) Main body 160.0 (W) x 130 (D) x 14 (H) (insert part) (160 x 110, universal K insert size) Adaptor 110 (W) x 62 (D) x 7 (H)
Heating method	Cover invisible coating heater Main body thin layer heater Humidifier cartridge heater Lens warmer thin layer heater
Sensor	PT 10 ohm
Incubator material	Black anodized aluminum alloy

Model No.

TC-L-10

Product

Chamlide TC

Chamlide TC Series for Piezo Stage

Incubator System for Piezo Z-stage

Chamlide TC-A (Chamlide TC for ASI or LUDL Piezo Z-stage)
Chamlide TC-N (Chamlide TC for Nikon Piezo Z-stage)
Universal K Insert Size



- TC-A is able to use with an Applied Scientific Instrumentation (ASI) or LUDL Electronic Piezo Z-stages.
- The exterior dimensions of the incubator are the same as universal mounting frame K.
- The weight of the incubator body including the adaptor and chamber(s) does not exceed 500g.
- Other functions and features are the same as the standard type Chamlide TC.
- TC-N is used with Nikon Piezo Z-stages.
- TC-N has different fixing holes but other shapes are the same with Chamlide TC-A .

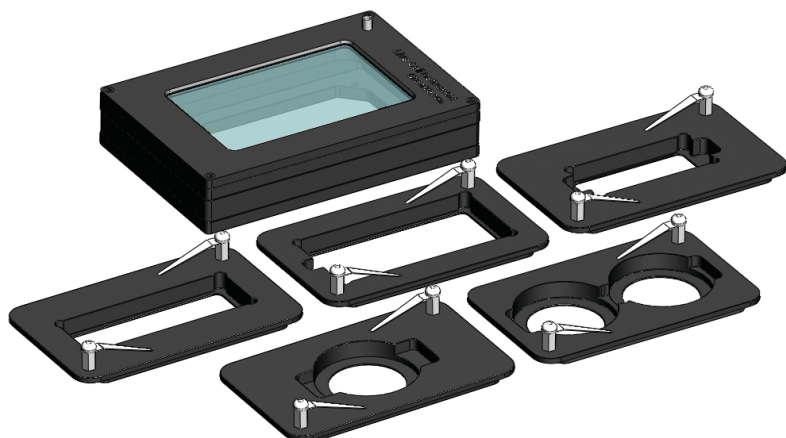
Incubator physical dimension (mm)

160 (W) x 110 x 28.5 (H), universal K insert size

Incubator material

Black polycarbonate, black anodized aluminum alloy

Chamlide TC-L Commercial Well Plate Size
(Chamlide TC for Piezo Z-stage, Thorlabs Piezo Z-stage, PI Piezo Z-stage Madcity Lab Nano Stage) Commercial Well Plate Size



- Chamlide TC-L is for the Piezo Z-stage with the well plate size insert.
- The exterior dimensions of the incubator are the same as those of commercial well plates.
- The weight of the incubator body including the adaptor and chamber(s) does not exceed 500g.
- Other functions and features are the same as the standard type Chamlide TC.

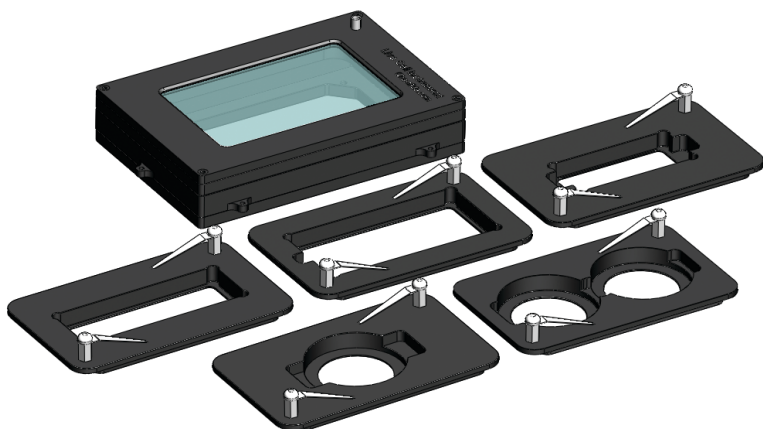
Incubator physical dimension (mm)

128 (W) x 86 (D) x 23.0 (H), commercial well plate size

Incubator material

Black polycarbonate, black anodized aluminum alloy

Chamlide TC-G (Chamlide TC for Leica Z-Galvo, Nikon Piezo Z-stage)



- Chamlide TC-G is for use with a Z-Galvo stage.
- The weight of the incubator body including the adaptor and chamber(s) does not exceed 200g.
- Other functions and features are the same as the standard type Chamlide TC.

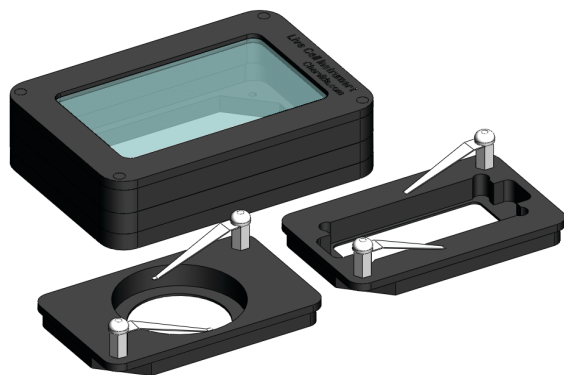
Incubator physical dimension (mm)

136.0 mm (W) x 90.0 (D) x 23.0 (H)

Incubator material

Black polycarbonate, black anodized aluminum alloy

Chamlide TC-P (Chamlide TC for Prior, PI Piezo Z-stage, Mad City Labs Nano Stage)



- Chamlide TC-P is for use with a Prior Scientific Piezo Z-stage or small size Z-galvo stage.
- This incubator is only for a 35mm dish type magnetic chamber or dish and a chambered cover glass. (There are two kinds of TC adaptors).
- The weight of the incubator body including a chamber does not exceed 200g.
- Other functions and features are the same as the standard type Chamlide TC.

Incubator physical dimension (mm)

92.5 (W) x 65.0 (D) x 23.0 (H)

Incubator material

Black polycarbonate, black anodized aluminum alloy

Model No.

Product

TC-L-20	Chamlide TC-A (Chamlide TC for ASI or LUDL Piezo Z-stage)
TC-L-30	Chamlide TC-L (Chamlide TC for Piezo Z-stage, well plate size)
TC-L-40	Chamlide TC-P (Chamlide TC for prior or Leica Piezo Z-stage)
TC-L-50	Chamlide TC-G (Chamlide TC for Z-Galvo stage)
TC-L-60	Chamlide TC-N (Chamlide TC for Nikon Piezo Z-stage)
TC-L-XX	Chamlide TC-X (Chamlide TC for other stage)

- Chamlide TC of any sizes or shapes for various Piezo Z-stage are customizable upon request.